

DODGE
JOURNEY







JOURNEY SXT & JOURNEY R/T. It's the triumph of arriving with a higher level of standard equipment. It's the assurance of feeling secure and safe along the way. Dodge Journey models are flexible enough to take on the most utilitarian of tasks. Of course, they're also designed to encourage you to take your time with any undertaking. And always, it's the enjoyment of comfortably getting where you're going that makes this Journey all the more worthwhile.

Be it Journey SXT or Journey R/T, this five-door hits the streets with a grille that says you've been there before and a stance that says you're ready for wherever you're going. Jewelled wraparound headlamps and "Ring of Fire" LED taillamps, body-colour heated mirrors, sculpted fender flares, and 17 or 19-inch aluminum wheels project an attitude that's altogether Dodge.

This crossover jets onto the scene with a toned and chiseled profile and signature Dodge crosshair grille. Whether it be the SXT with body colour door handles, black moulded roof rack, 17-inch alloy wheels or the style enhanced R/T with chrome exterior detailing and step up to 19-inch alloy wheels, you can enjoy the impressive upgrade in power & performance with the shared 3.6 litre V6 Pentastar engine boasting a 206KW power output and combined drive fuel economy rating of 10.4L/100km.



8.4 inch screen shown late availability R/T models only.

FLEXIBLE INTERIOR

Journey's interior is beyond flexible and always compatible with your ever-changing lifestyle with the standard seven-passenger seating featuring 40/60 split-fold-flat stadium-style second-row seat and 50/50 split-fold-flat third-row seat, everyone travels in comfort. Getting in Journey is easy. Rear doors open 90 degrees, and the standard Tilt 'n Slide second-row seat creates an even easier entry to the third-row seat. Standard Enter 'N Go automatically unlocks the vehicle when the key fob is with you and you pull up on the door handle. Enter 'N Go also recognises when your vehicle's key fob is in the vehicle compartment and lets you start the engine with one press of the Go button. Journey not only carries passengers in style, but also keeps the things they carry amazingly organised. An easy-to-access centre floor console features cup holders, 12-volt power outlets, remote USB port, auxiliary power outlet and out-of-view storage. Two in-floor storage bins with lids each hold up to a dozen 355 ml cans plus ice or other travel items in a removable liner. Journey Flip 'n Stow™ fold-flat front-passenger seat feature a storage bin under the hinged seat cushion. When hauling gear is the priority, fold down the seats for an impressive 1461L of cargo capacity.



SAFETY DESIGN

Systems like crush zones and safety-cage construction work together to absorb or direct impact energy away from the passenger compartment in the unfortunate event of an accident. For children who have outgrown aftermarket child seats, Journey offers dual integrated child booster seats.^[3]

ELECTRONIC STABILITY CONTROL (ESC).^[4] In adverse conditions, the ESC – which includes all-speed traction control, Brake Assist, Electronic Roll Mitigation, and Trailer Sway Control – helps the driver maintain vehicle directional stability and limit oversteering or understeering. **ANTILOCK BRAKE SYSTEM (ABS).** Standard four-wheel antilock disc brakes sense and prevent wheel lockup, offering improved steering control under extreme braking and/or slippery conditions. **AIR BAGS.**^[5] All Journey models feature standard advanced multistage driver and front-passenger air bags,^[5]

supplemental side-curtain air bags^[5] for all three rows, and supplemental driver and front-passenger seat side-mounted air bags.^[5] **TYRE PRESSURE MONITORING SYSTEM.** A warning system in the instrument cluster alerts the driver to tyres with “high” or “low” displays for individual tyre pressures.

SENTRY KEY.[®] This immobiliser system prevents unauthorised vehicle operation by disabling the engine. Operation is automatic, regardless of whether the vehicle is locked or unlocked. **HILL START ASSIST.** Automatically applies the brakes momentarily to help prevent rollback on hills and inclines.



STAY CONNECTED.

Outfit your Journey with Uconnect[®] to help stay in touch with the people, music, and devices that matter most. It acts as the hub for your most important media – cell phone, navigation system, and personal devices such as an iPod[®] or smartphone. The Uconnect user-friendly systems are designed to make your life easier, wherever you roam.



PHONE. Talking on the phone while driving has never been easier – or more responsible. Uconnect Phone is the in-vehicle, voice-activated communication system that allows you to pair up to seven Bluetooth[®] compatible phones and then talk virtually hands-free. This system is also clever enough to synchronize with your phone's address book^[2] – up to 1000 entries – every time you get into your vehicle.



VOICE COMMAND. It simplifies driving by letting you keep your eyes on the road and your hands on the wheel. Vocally select phone function to make and receive mobile phone calls handsfree. This smart system technology can also be trained to better recognise your voice and can understand commands in Dutch, English, French, German, Italian, and Spanish (Uconnect 8.4 Late availability).



ENTERTAINMENT. Manage all of your media. You'll have several ways to access audio, including a USB port, iPod control with Voice Command,^[1] (Uconnect 8.4 Late availability) and Bluetooth streaming audio.



NAVIGATION. Provides turn-by-turn guidance by voice command and visual display. It can also locate nearby restaurants, shopping, hospitals, or points of local interest. An upgraded Uconnect radio features optional GPS Navigation from Garmin[®] with turn-by-turn audible directions and lane guidance (Uconnect 8.4 Late availability).

UCONNECT MEDIA CENTRE RADIOS

AVAILABLE	Uconnect Touch 8.4N	Uconnect Touch 8.4	Uconnect Touch 4.3
Journey SXT	-	-	S
Journey R/T	O (late availability)	O (late availability)	S
SELECTED FEATURES			
LCD Display	8.4" Touch Screen	8.4" Touch Screen	4.3" Touch Screen
Optical Drive	CD/DVD/MP3	CD/DVD/MP3	CD/MP3
Navigation	Garmin		
Music Storage	SD Card	SD Card	
Auxiliary Input Jack	S	S	S
Hands-Free Voice Command of Phone ^[1]	S	S	S
Bluetooth Streaming Audio	S	S	S
Remote USB Port for Digital Media Storage/ Players (iPod)	S	S	S

S = Standard O = Optional



REVERSING BACK-UP CAMERA: Become more aware of your surroundings with the Journey R/T available rear view mirror with integrated back up camera. Designed to keep you visibly in touch while in reverse, this camera offers assistance to gauge the space between your vehicle and obstacles that are close to you including the little people in your life [1].

UCONNECT TOUCH 4.3 FEATURES: 4.3-inch touch screen, remote USB port, MP3/WMA digital format support, CD player, and auxiliary input jack includes Uconnect Voice Command^[1]* with Bluetooth[®] for hands-free calling. This is Uconnect.™ When it comes to delivering on all your modern media needs and interior controls at the touch of a finger, nothing can match it. The system is intuitive and customisable, and includes touch-screen display, MW/FM/CD radio, USB port, and more.

IN-CAR MULTIMEDIA SYSTEM: Farewell to the days of "are we there yet?" with this available 9 inch digital High Resolution LCD Screen with sleek and seamless integrated DVD player casing for second row passenger. Clever features like easy flip and click stow drop down screen, remote control and USB Port and SD card reader, you'll finally find the time to enjoy your favourite games, movies and programmes.

UCONNECT TOUCH 8.4 FEATURES: 8.4-inch touch screen; remote USB port; MP3/WMA digital format support; CD/DVD player; auxiliary input jack; SD card slot for playing music; and album, artist, genre, playlist, and album cover art display includes Uconnect Voice Command^[1] with Bluetooth for hands-free calling and station selection (late availability option, R/T only).

UCONNECT TOUCH 8.4N FEATURES: 8.4-inch touch screen; remote USB port; MP3/WMA digital format support; CD/DVD player; auxiliary input jack; SD card slot for playing music; album, artist, genre, playlist, and



album cover art display; Uconnect Voice Command^[1] with Bluetooth for hands-free calling, station selection, Bluetooth streaming audio; and Garmin[®] Navigation with audible turn-by-turn directions, points-of-interest, and lane guidance (late availability option, R/T only).

*A note about this brochure: All disclaimers and disclosures can be found on the back cover. ^[1] Always check entire surroundings visually before backing up. No system, no matter how sophisticated can repel the laws of physics or overcome careless driving actions.



JOURNEY SXT

STANDARD FEATURES: 4-wheel antilock brakes with Brake Assist, speed control, headlamp leveling system, P225/65 R17 BWS touring tyres by Yokohama on 17-inch alloy wheels, Sunscreen glass, fog lamps, Black side rails, Tri-Zone Automatic Temperature Control air conditioning, air filtering, Uconnect Touch 4.3, active front head restraints,^[6] Next Generation front air bags,^[6] side-curtain air bags,^[6] front-seat mounted side air bags,^[6] Electronic Stability Control,^[4] keyless Enter 'N Go, Sentry Key[®] engine immobiliser. Electronic Vehicle Information Centre, power door locks, full-length floor console, floor mats auto-dimming rearview mirror, leather-wrapped steering wheel with audio controls, premium cloth seats, power 6-way driver's seat with 4-way power lumbar support, cargo net, cargo compartment cover.



JOURNEY R/T

STANDARD FEATURES, INCLUDE ALL JOURNEY SXT FEATURES PLUS (OR REPLACED WITH): P225/55 R19 BSW AS touring tyres by Kumho on 19-inch alloy wheels, , 6 Premium Alpine speakers, heated leather trimmed seats, Bright door handles, Bright roof rack rails, Premium door trim panel, LED rechargeable flashlight. Optional features include: Rear DVD and back up camera package, 8.4" touch screen, 8.4N" touchscreen with Garmin Navigation (late availability).

POWERFUL ENGINE

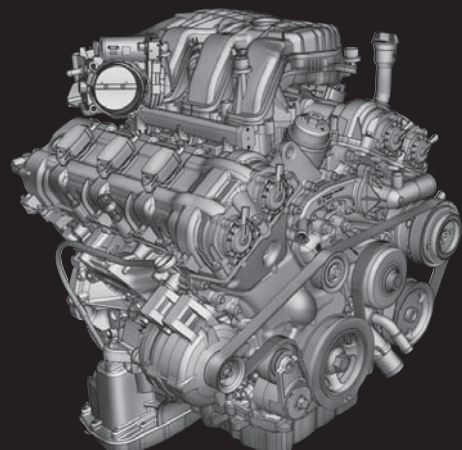
3.6 Pentastar™ V6 Engine. All-new and engineered equally for fuel efficiency, horsepower, and refinement. The Pentastar engine makes the most of its dual overhead cams (DOHC) and Variable Valve Timing (VVT) to deliver optimum combustion efficiency over the full speed and load ranges. Translation: it excels its predecessor by providing an increase of 34 percent in power (206 KW) and 11 percent in torque (342 N•m).

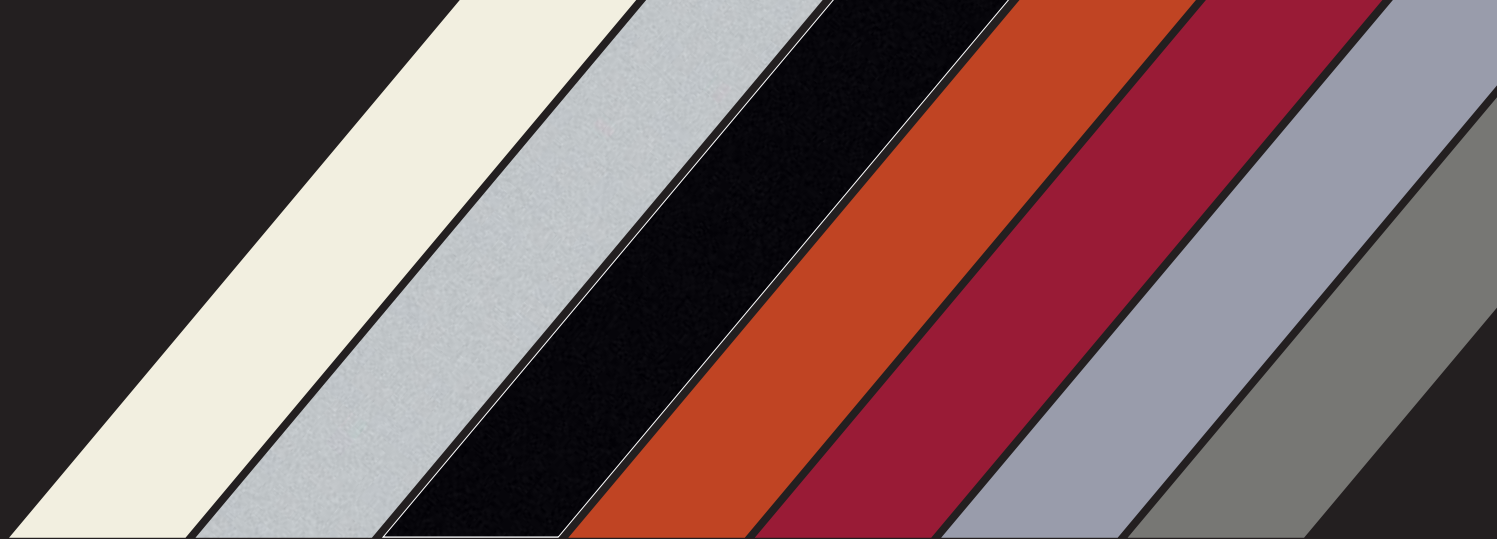
FRONT-WHEEL DRIVE

- Front-wheel drive is standard on all Journey models

SMOOTH, NIMBLE DRIVING CHARACTERISTICS

- 4-wheel independent suspension for a smooth, quiet ride





WHITE

BRIGHT SILVER
METALLIC

BRILLIANT BLACK
CRYSTAL PEARL
COAT

COPPERHEAD PEARL
COAT* (LATE
AVAILABILITY)

BRILLIANT RED
TRI-COAT

BLUE PEARL CRYSTAL
COAT* (LATE
AVAILABILITY)

STORM GREY PEARL
COAT

*Custom order only

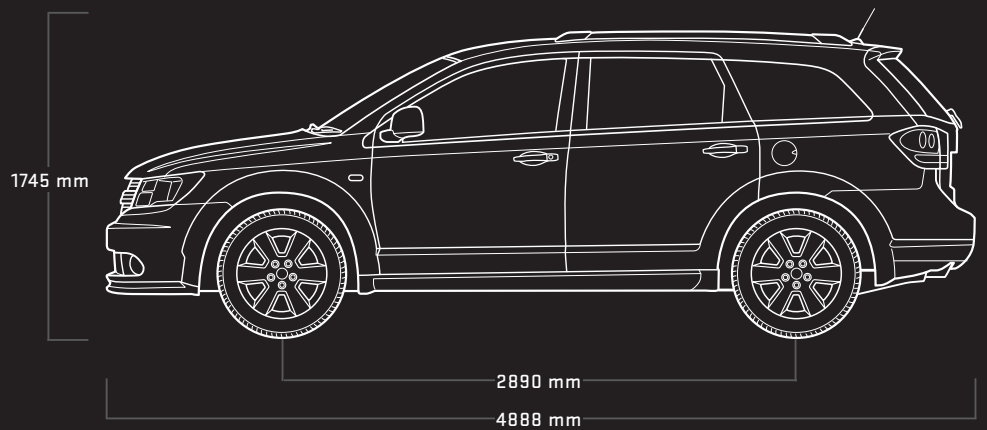
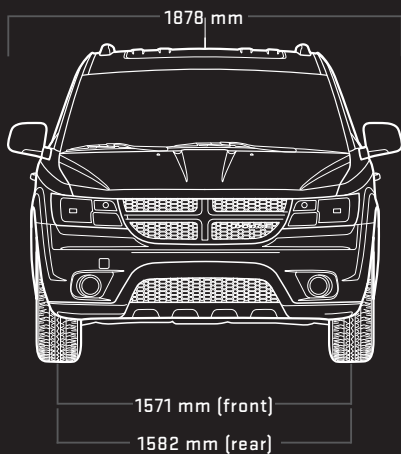
JOURNEY WHEELS



19-inch Aluminum wheels [standard on Journey R/T]



17-inch Aluminum wheels [standard on Journey SXT]



JOURNEY BUYER'S GUIDE

STANDARD AND OPTIONAL FEATURES	FWD	
	R/T	SXT
ENGINE AND TRANSMISSION		
3.6 LITRE V6 24V VVT ENGINE 6 SPEED AUTOMATIC TRANSMISSION	S	S
MECHANICAL		
BRAKES – 4-wheel antilock disc with Brake Assist	S	S
ENGINE OIL COOLER	S	S
FUEL TANK – 77.6L	S	S
SPEED CONTROL	S	S
STEERING – Firm-feel	S	S
SUSPENSION – Euro-tuned	S	S
TRACTION CONTROL – All-speed	S	S
EXTERIOR FEATURES		
DOOR HANDLES – Body-colour		S
DOOR HANDLES – Chrome	S	
FASCIA – Body-colour performance	S	S
GRILLE – Chrome	S	S
GLASS – Solar-Control	S	S
– Sunscreen	S	S
– Tinted windshield glass	S	S
HEADLAMPS – Quad RHD optics	S	S
– Fog lamps	S	S
– Rear fog lamps	S	S
– Headlamp leveling system	S	S
MIRRORS – Body-colour, power folding, heated	S	S
ROOF RACK – Side rails, Black		S
ROOF RACK SLIDE RAILS – Chrome	S	
TYRES – 225/65R17 BSW touring Tyres by Yokohama		S
TYRES – 225/55R19 BSW Touring Tyres by Kumho	S	
– Compact spare tyre	S	S
WHEELS	S	
– 17-inch aluminum wheels		S
– 19-inch aluminum wheels	S	
WIPERS – Variable intermittent windshield wiper	S	S
INTERIOR FEATURES		
AIR CONDITIONING		
– Temperature control		
– Three-Zone Automatic Temperature Control	S	S
CABIN AIR FILTER	S	S
ASSIST HANDLE – Front passenger	S	S
CARGO COMPARTMENT CLOTH COVER	S	S
CARGO TIE-DOWN LOOPS	S	S
CARGO NET	S	S
CONSOLE – Overhead console	S	S
– Full-length floor console with Armrest	S	S

STANDARD AND OPTIONAL FEATURES	FWD	
	R/T	SXT
INTERIOR FEATURES (CONTINUED)		
DEFROSTER – Rear window	S	S
DOOR LOCKS – Power	S	S
ELECTRONIC VEHICLE INFORMATION CENTRE	S	S
FLOOR CARPET	S	S
FLOOR MATS – Front and rear	S	S
INTERIOR ACCENTS		
– Highline door trim panel		S
– Premium door trim panel	S	
LATCH – Lower anchors and tether for child seats	S	S
Lighting		
– Driver and front-passenger footwell LED lamps	S	S
– Glove Box LED lamps	S	S
– Front and Rear courtesy reading lamps	S	S
Mirrors		
– Rearview, auto-dimming with microphone	S	S
– Interior conversation mirror	S	S
Power Accessory		
– 12V centre console	S	S
– 12V auxiliary	S	S
– 12V DC front and rear power outlets	S	S
Shift Knob		
– Leather-wrapped	S	S
STEERING COLUMN – Tilt/telescoping	S	S
Steering Wheel		
– Leather wrapped, includes steering-wheel-mounted audio controls	S	S
STORAGE		
– Front-passenger Flip 'n Stow™ in-seat storage	S	S
– Second-row in-floor storage bin	S	S
VISORS – Driver and front-passenger sun visors with illuminated vanity mirrors	S	S
WINDOWS – Power with front-row one-touch up/down	S	S
SEATS		
– Premium Cloth low-back bucket seats		S
– Leather trimmed low-back bucket seats	S	
FRONT – Power 4-way driver lumbar adjuster	S	S
– Power driver height adjuster	S	S
– Power 6-way driver seat	S	S
– Front-passenger Flip 'n Stow™ in-seat storage	S	S
SECOND ROW – Easy entry 40/60 Tilt 'n Slide seat with recline included with Flexible Seating Group	S	S
THIRD ROW – 50/50 fold-flat seat with recline included with Flexible Seating Group	S	S

STANDARD AND OPTIONAL FEATURES

	FWD	
	R/T	SXT
AUDIO/VIDEO OPTIONS		
UCONNECT MULTIMEDIA		
– Uconnect Touch 4.3 with 4.3-inch touch screen, CD player, MP3/WMA, auxiliary input jack and remote USB port	S	S
– Uconnect Touch 8.4 with 8.4-inch touch screen, CD/DVD player, MP3/WMA/AAC, auxiliary input jack, remote USB port and SD card slot included with Safe & Sound Group	LA	
– Uconnect Touch 8.4N with 8.4-inch touch screen, CD/DVD player, MP3/WMA/AAC, auxiliary input jack, remote USB port, SD card slot, Garmin® Navigation with audible turn-by-turn directions, POI and lane guidance included with Navigation & Sound Group	LA	
SPEAKER SYSTEMS – 6 premium speakers with subwoofer	S	
SPEAKER SYSTEMS – 6 speakers		S
SAFETY AND SECURITY		
ACTIVE HEAD RESTRAINTS[6] – Front seats	S	S
AIR BAGS[5]	S	S
– Next Generation front airbags	S	S
– Side-curtain for all rows	S	S
– Supplemental front seat side air bags	S	S
ELECTRONIC STABILITY CONTROL (ESC)[4] – Includes Electronic Roll Mitigation, Trailer Sway Damping and all-speed traction control	S	S
ENTER 'N GO – Includes remote proximity keyless entry and keyless ignition	S	S
SECURITY ALARM	S	S
SENTRY KEY® THEFT DETERRENT SYSTEM ENGINE IMMOBILISER	S	S
UCONNECT VOICE COMMAND[1] – Includes auto-dimming rearview mirror with microphone	S	S
OPTIONAL PACKAGES		
REAR DVD AND BACK-UP CAMERA	O	
REAR DVD, PARK ASSIST AND BACK-UP CAMERA	LA	

* S = STANDARD, O = OPTIONAL, LA = LATE AVAILABILITY

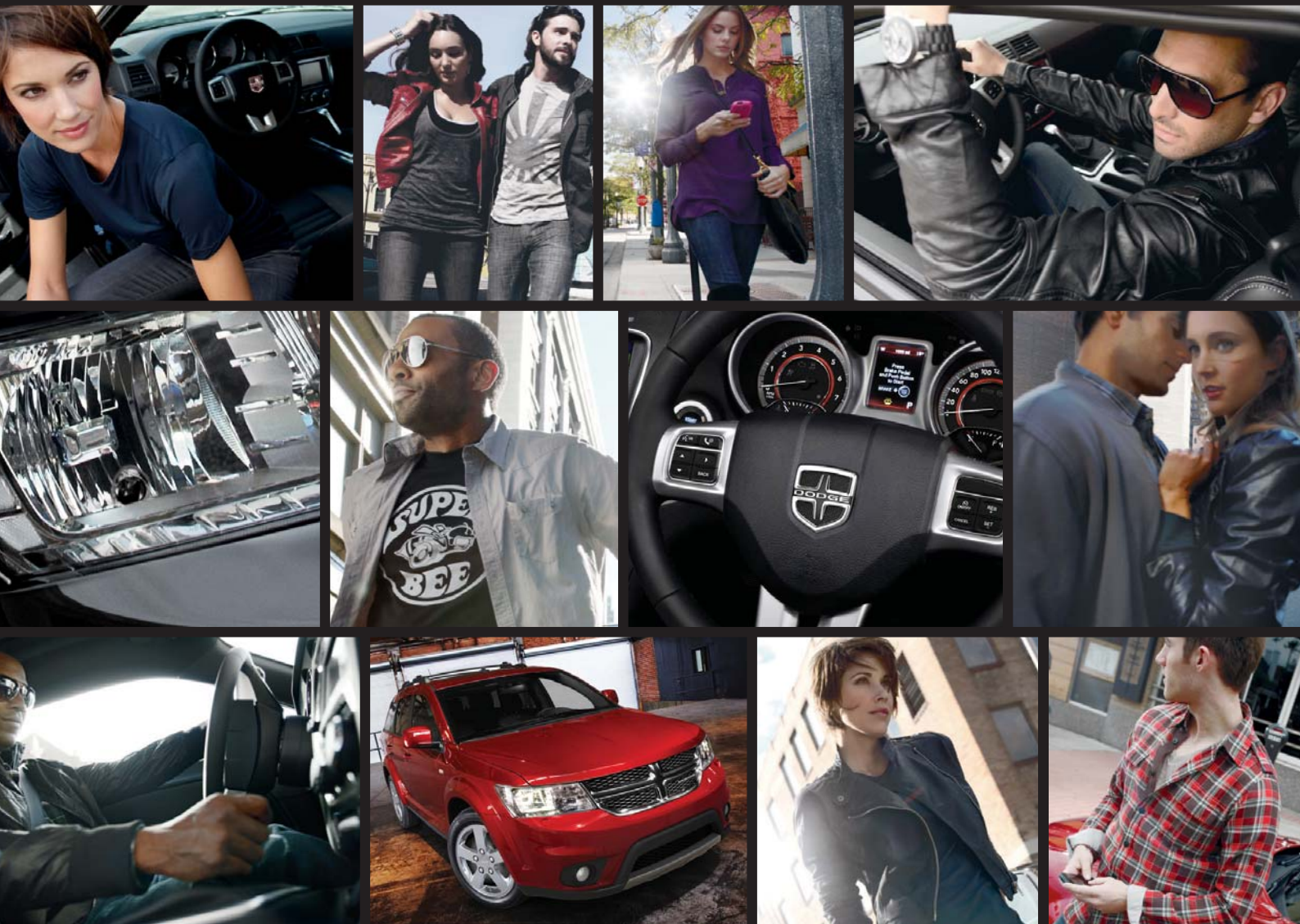
SPECIFICATIONS

	FWD	
	R/T	SXT
DIMENSIONS		
WHEELBASE	2890	
OVERALL LENGTH	4888	
OVERALL HEIGHT (WITH CROSSBARS)	1691/1745	
OVERALL WIDTH	1878	
SEATING CAPACITY	2/3/2	
HEAD ROOM – Front/Second/Third	1037/995/958	
LEG ROOM– Front/Second/Third	1036/854/596	
HIP ROOM– Front/Second/Third	1368/1379/1016	
SHOULDER ROOM– Front/Second/Third	1460/1448/1237	
CARGO VOLUME (M ³) – Rear seat up/Folded	.291/1.876	

SPECIFICATIONS

	FWD	
	R/T	SXT
DIMENSIONS (CONTINUED)		
TRACK– Front/Rear	1571/1582	
GROUND CLEARANCE	197	
APPROACH ANGLE	14.6	
BREAKOVER ANGLE	16.8	
DEPARTURE ANGLE	24.5	
OVERHANG – Front/Rear	989/1009	
POWERTRAINS		
ENGINE 3.6 L PENTASTAR V6 ENGINE	3.6 L V6	
– POWER KW @ RPM	206 @ 6350	
– TORQUE N·M @ RPM	342 @ 1750	
– TRANSMISSION – STANDARD	6-SPEED AUTO	
TYRES		
225/65R17 BSW ALL-SEASON TOURING TOURING (YOKOHAMA)		S
225/55R19 BSW ALL-SEASON TOURING (KUMHO)	S	
STEERING TECHNICAL DATA		
FIRM-FEEL POWER RACK-AND-PINION		
OVERALL RATIONC FACTOR 50.6MM/REV		
TURNING DIAMETER (M)	10.0	
BRAKES TECHNICAL DATA		
DISCS (MM)- FRONT	302X28	
DISCS (MM)- REAR	305X12	
CALIPERS (MM) - FRONT	66	
CALIPERS (MM) - REAR	43	
FUEL CONSUMPTION (L/100 KM) & ENGINE PERFORMANCE		
URBAN CYCLE	14.8	
EXTRA-URBAN CYCLE	7.8	
COMBINED CYCLE	10.4	
CO2 (G/KM)	242	
PERFORMANCE		
ACCELERATION (0-100 KM/H) SECONDS	8.0	
MAXIMUM SPEED (KM/H)	207.9	
CAPACITIES		
MAXIMUM TOWING CAPACITY (KG)	1100	
OIL WITH NEW FILTER (L)	6.0	
ENGINE COOLANT SYSTEM (L)	11.0	
FUEL TANK CAPACITY (L)	77.6	
WASHER FLUID VOLUME (L)	6.0	
WEIGHTS		
KERB WEIGHT(1) (KG)	1767-1809	
GROSS VEHICLE WEIGHT (KG)	2480	
MAXIMUM PAYLOAD RATING (KG)	606	613
SERVICE - OIL CHANGE INTERVALS		
– Schedule A	12,000 KM/1 YEAR	
– Schedule B (severe driving profile)	12,000 KM/ 6 MONTHS	

⁽¹⁾ A range of kerb weights is provided. Actual kerb weights depend upon the vehicle's equipment.



DODGE

Dodge is a registered trademark of Chrysler Group LLC.

^[1] Requires Uconnect Phone. ^[2] Phone must support Bluetooth Phone Book Access Profile (PBAP).
^[3] For children 22-38 kg and up to 145cm. ^[4] No system, no matter how sophisticated, can repeal the laws of physics or overcome careless driving actions. Performance is limited by available traction, which snow, ice and other conditions can affect. When the ESC warning lamp in the speedometer flashes, the driver needs to use less throttle and adapt speed and driving behavior to prevailing road conditions. Always drive carefully, consistent with conditions. Always wear

your seat belt. ^[5] The Advanced Front Air Bags in this vehicle are certified to the new U.S. federal regulations for advanced air bags. Children 12 years old and younger should always ride buckled up in a rear seat. Infants in rear-facing child restraints should never ride in the front seat of a vehicle with a passenger front air bag. All occupants should always wear their lap and shoulder belts properly. ^[6] Always sit properly with the head restraint properly adjusted. Never place anything in front of the head restraint. ^[7] Always check entire surroundings before backing up.

About this catalogue: Since the time of printing, some of the information you'll find in this catalogue may have been updated. Ask your dealer for details. Some of the equipment shown or described throughout this catalogue is available at extra cost. Specifications, descriptions, and illustrative materials contained herein are as accurate as known at the time this publication was approved for printing. Sime Darby Automobiles reserves the right to discontinue models at any time or change specifications without notice or without incurring obligation. All options are required in combination with other options. For the price of the model with the equipment you desire, or verification of specifications contained here, see your Dodge dealer. Chill Zone, Dodge, Mopar, MusicGate Power, uconnect and VES are registered trademarks of Chrysler LLC. Bluetooth is a registered trademark of Bluetooth SIG. Printed in New Zealand CATJC12 12/11